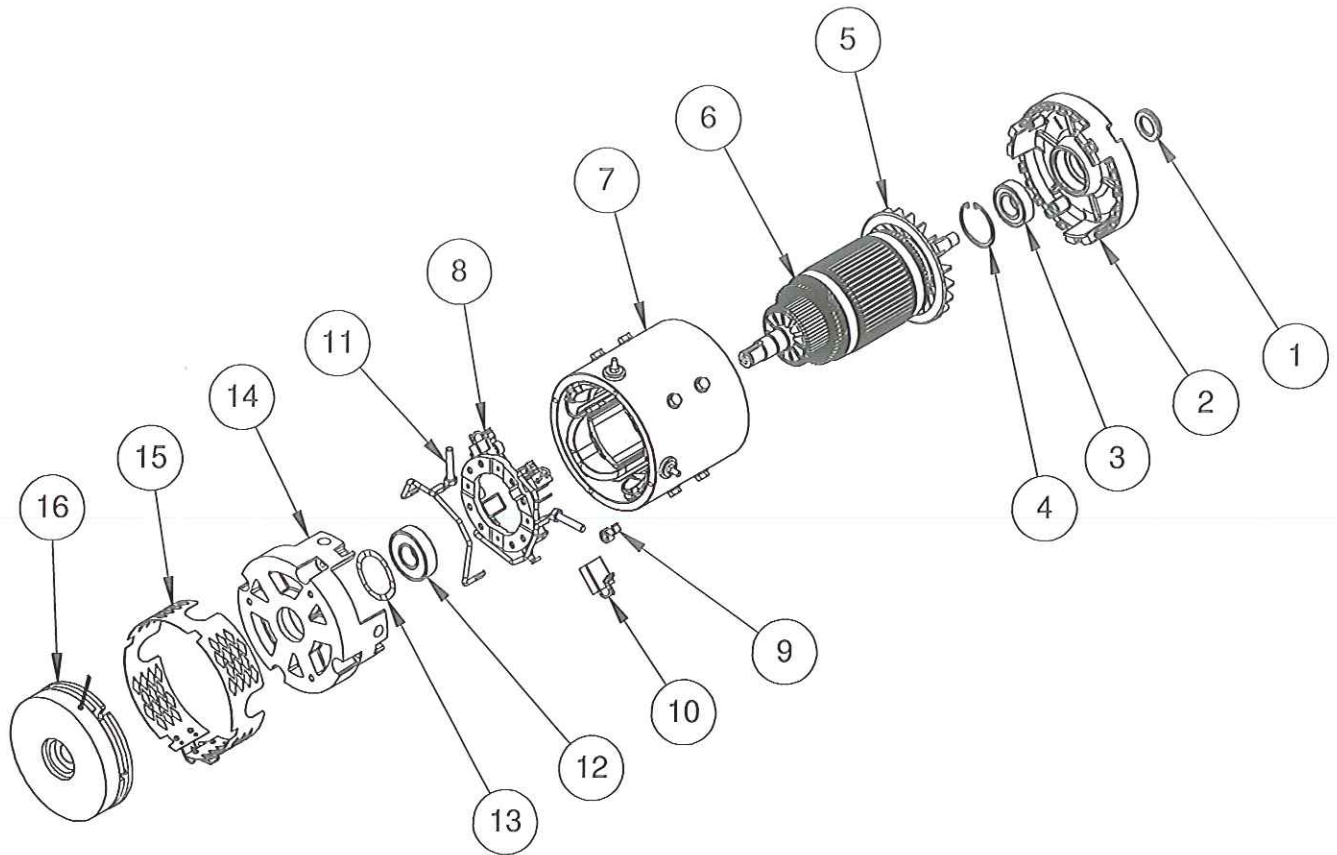




DD2-4009



ITEM No.	PART No.	DESCRIPTION
1	H-019	OIL SEAL
2	A03-133B	DRIVE END HEAD
3	BR-205	BEARING
4	H-004	RETAINING RING
5	A90-109	FAN
6	A12-3406	ARMATURE & FAN ASSEMBLY
7	DD2-2141	FRAME & FIELD ASSEMBLY
8	A88-1064	BRUSH BOX ASSEMBLY (WITH SPRINGS)
9	B89-016	BRUSH SPRING
10	A89-012E	BRUSH
11	L03-2035ES	BRUSH LEAD & TERMINAL SERVICE KIT
12	BR-305	BEARING
13	H-044	WAVY WASHER
14	E90-002	COMMUTATOR END HEAD
15	HB-1061	HEADBAND ASSEMBLY
16	BRK-1003	BRAKE ASSEMBLY

DD2-4009_BD / REV A / RN-695 / 02-28-12



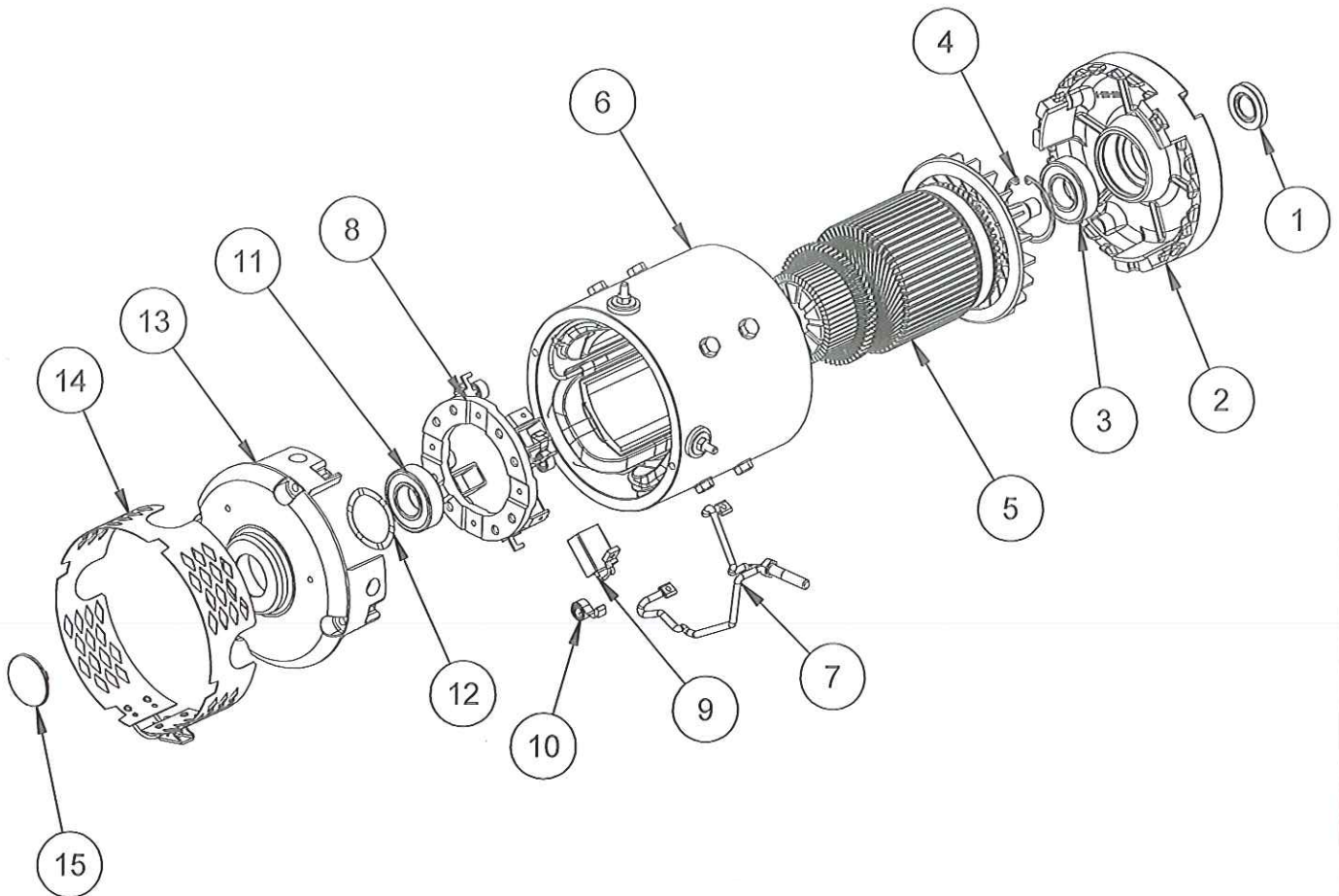
Advanced D.C. Motors, Inc

A "KINETEK™" COMPANY

SYRACUSE, NY

DD3-4003

TRACTION
MOTOR PARTS
BREAKDOWN



ITEM	PART NUMBER	DESCRIPTION
1	H-019	SEAL
2	A03-133B	DRIVE END HEAD
3	BR-205	BEARING
4	H-004	RETAINING RING
5	A03-3356	ARMATURE & FAN ASSEMBLY
6	DD3-2111	FRAME & FIELD ASSEMBLY
7	L03-2035ES	BRUSH LEAD & TERMINAL SERVICE KIT
8	A88-1064	BRUSH PLATE ASSEMBLY
9	A91-112A	BRUSH
10	B89-016	BRUSH SPRING
11	BR-205	BEARING
12	H-016	SPRING WASHER
13	A04-102A	COMMUTATOR END HEAD
14	HB-1061	HEADBAND ASSEMBLY
15	H-147	HOLE PLUG